

Tying Machine with Side Knotting Unit

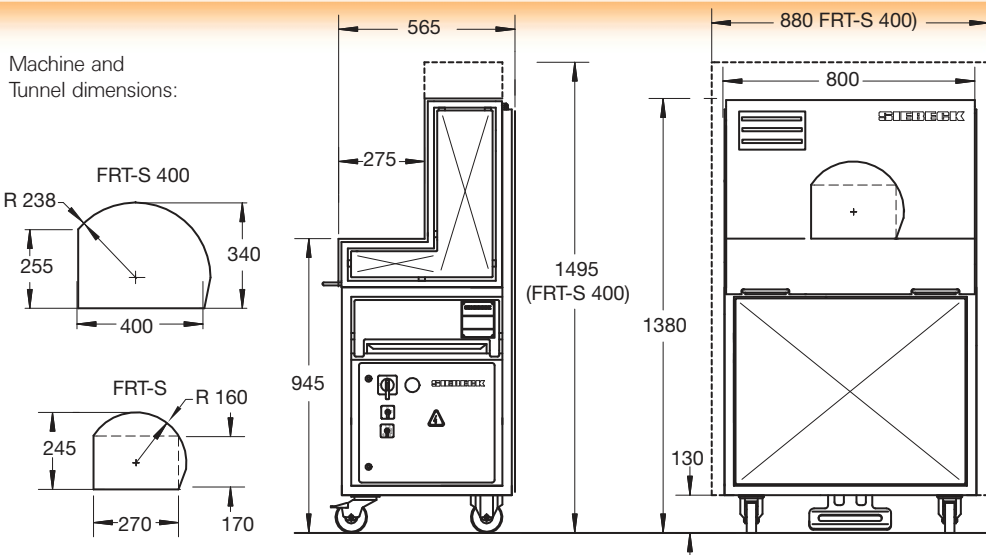
A model derived from the well proven FRT series but engineered to overcome the specific problems of harsh environments, e.g. cured, marinated or coated meat cuts. Any debris, liquids or residues drop directly in to the collection tray thus eliminating contamination or corrosion of the knotting unit.

Standard Features include:

- Wear-free AC Servomotors
- Automatic reset of knotting unit and ring
- Smart Motion Controller with LED displays
- Up to 63 strings/min
- Selector switch for 1, 2, 3, 4, cross- and continuous tying
- Larger bobbin reduces downtime for twine changeovers
- Interlocked removable catch tray prevents deposits, residues or product
 - scraps soiling the floor or the inside of the machine



FRT-S
FRT-S 400



Specifications

Connected load:
170 - 260 V, AC, 50/60 Hz
1,3 kW

Sound pressure level:
72 dB (A) +/- 1

Weight:
FRT-S: 160 kg
FRT-S 400: 165 kg

SIEBECK
VERPACKUNGSMASCHINEN